



Spare parts for:
Coffee grinders



Suitable for:
OBEL



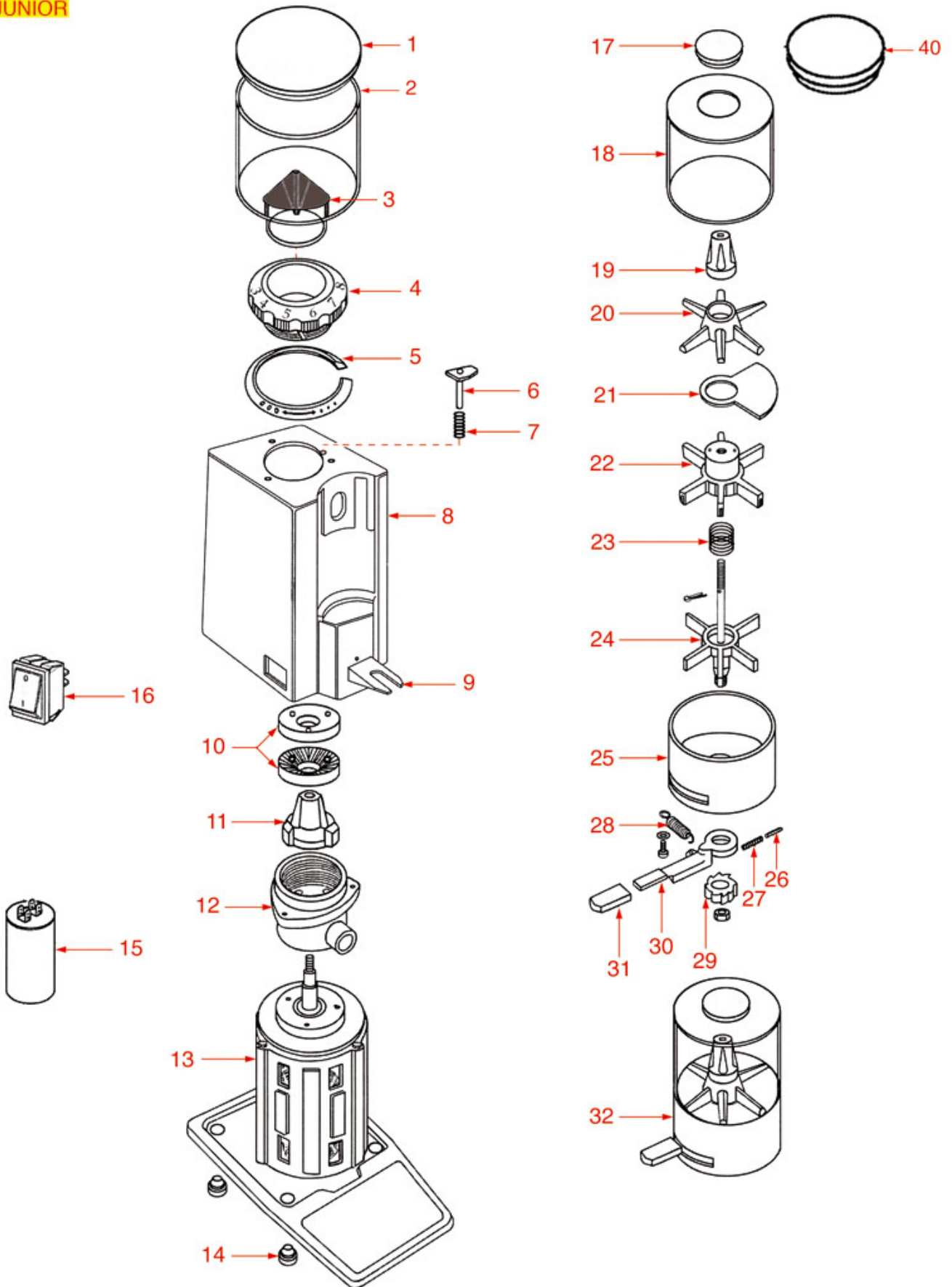
This catalogue is automatically generated.
Therefore, the sequence of the items might
not be always shown at best.
Updates will be issued in case of additions
and/or amendments.
Suitable universal spare parts may not be included





GRINDER ASSEMBLY JUNIOR

JUNIOR





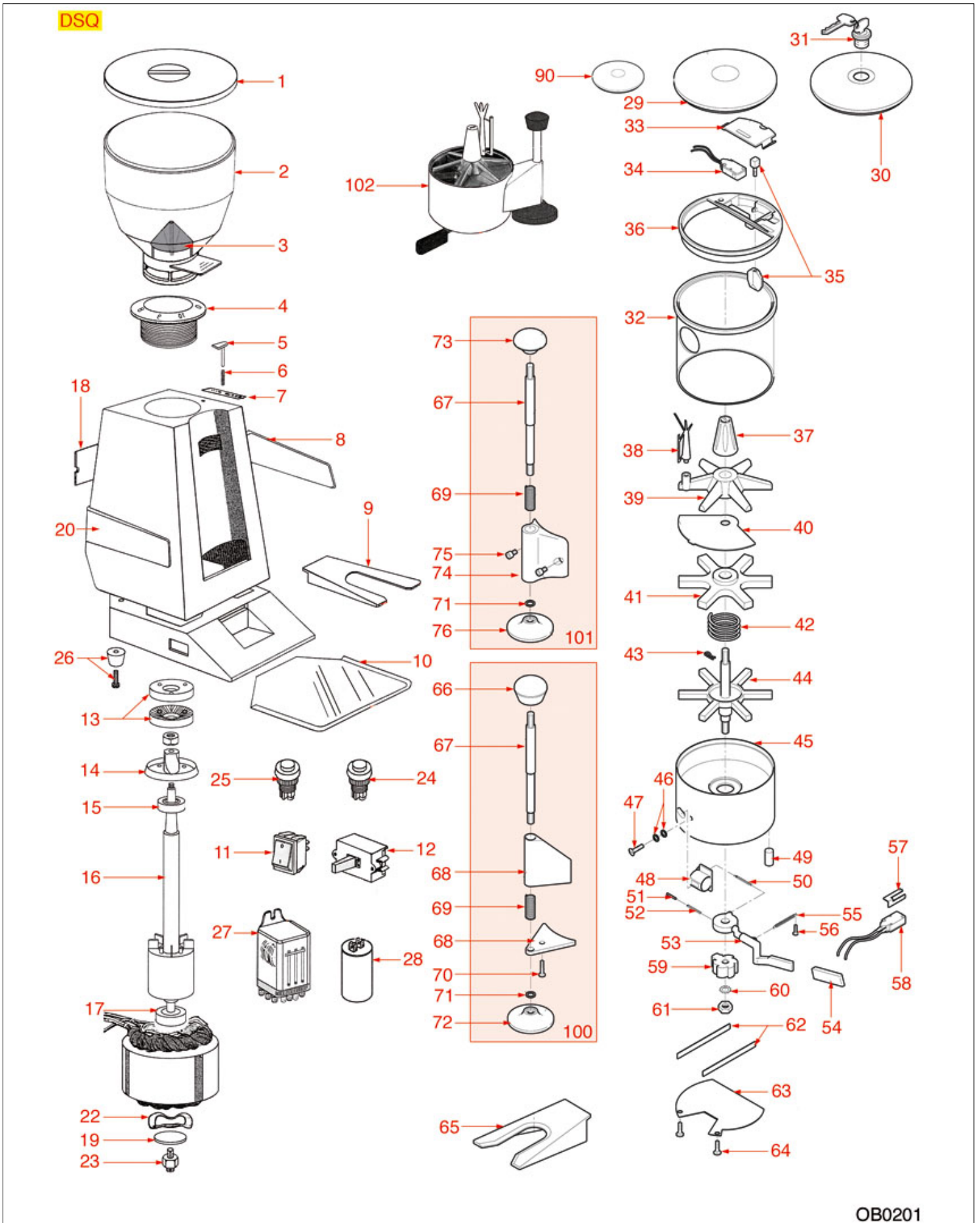
OBEL



| Position | LF code no. | Description |
|----------|-------------|--------------------------------------|
| 1 | 1252301 | COFFEE HOPPER LID |
| 2 | 1080938 | COFFEE HOPPER 250 gr |
| 3 | 1252295 | COFFEE HOPPER INNER PROTECTION |
| 3 | 1252379 | COFFEE HOPPER INNER PROTECTION |
| 4 | 1252300 | GRINDING BURRS TOP HOLDER W/RING NUT |
| 5 | 1252302 | JUNIOR SCREW COVER |
| 6 | 1324941 | LOCKING PIN |
| 7 | 1250265 | LOCKING PIN SPRING |
| 9 | 1252299 | FILTER HOLDER FORK |
| 10 | 1251062 | GRINDING BURRS OBEL (PAIR) LEFT |
| 11 | 1251063 | GRINDING BURRS BOTTOM HOLDER |
| 15 | 3068010 | CAPACITOR μ F 6.3 450V 50/60Hz |
| 16 | 3319035 | ORANGE BIPOLAR SWITCH 16A 250V |
| 17 | 1090020 | DOSER LID \varnothing 58 mm |
| 18 | 1252276 | DOSER CYLINDER |
| 19 | 1252280 | DOSE ADJUSTMENT KNOB |
| 23 | 1250260 | STAR SPRING |
| 27 | 1250267 | PEG SPRING |
| 28 | 1250263 | DOSER LEVER RETURN SPRING |
| 29 | 1252303 | PAWL GEAR 6 TEETH |
| 31 | 1252297 | LEVER COVER |
| 32 | 1090511 | COMPLETE DISPENSER |
| 40 | 1252279 | DOSER LID |



GRINDER ASSEMBLY DSQ





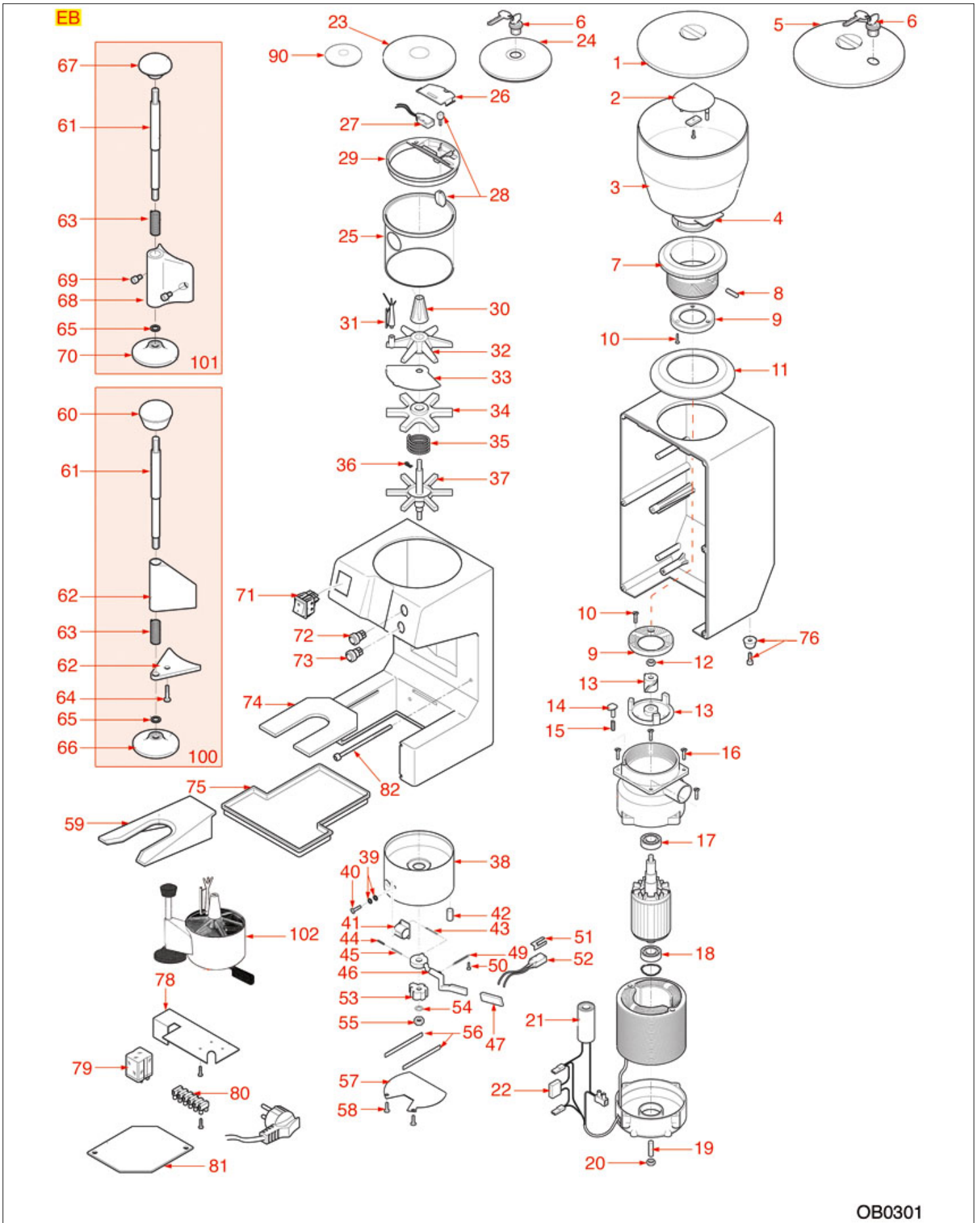
OBEL



| Position | LF code no. | Description |
|----------|-------------|--|
| 1 | 1252304 | COFFEE HOPPER LID ø 185 mm |
| 2 | 1080075 | COFFEE HOPPER |
| 3 | 1252295 | COFFEE HOPPER INNER PROTECTION |
| 3 | 1252379 | COFFEE HOPPER INNER PROTECTION |
| 4 | 1252285 | GRINDING BURRS TOP HOLDER W/RING NUT |
| 5 | 1252281 | LOCKING PIN |
| 6 | 1250265 | LOCKING PIN SPRING |
| 10 | 1252305 | COFFEE COLLECTION TRAY |
| 13 | 1251061 | GRINDING BURRS OBEL-CARIMALI (PAIR) LEFT |
| 15 | 3063005 | BEARING 6202 2RS |
| 17 | 1063906 | BEARING 6203 2Z |
| 24 | 1319003 | BLACK SINGLE POLE PUSH-BUTTON 0.7A 250V |
| 25 | 9014062 | RED SINGLE-POLE PUSH-BUTTON 0.7A 250V |
| 26 | 1313106 | RUBBER FOOT |
| 27 | 1351508 | RELAY 10A 230V |
| 29 | 1252283 | DOSER LID |
| 30 | 1252284 | DOSER LID WITH KEY |
| 31 | 1388501 | COVER LOCK |
| 32 | 1090019 | DOSER CYLINDER ø 120x117 mm |
| 34 | 1240802 | MICROSWITCH 6A 250V |
| 36 | 1252287 | MICROSWITCH HOLDER |
| 37 | 1252280 | DOSE ADJUSTMENT KNOB |
| 38 | 1250266 | DOSER SCRAPER |
| 39 | 1343939 | TOP STAR |
| 40 | 1252282 | DOSER SHEET |
| 41 | 1343940 | MIDDLE STAR |
| 42 | 1250260 | STAR SPRING |
| 44 | 1343941 | BOTTOM STAR |
| 47 | 1528630 | STAINLESS STEEL SCREW M5x10 mm UNI 5739 |
| 48 | 1252278 | COUNTER FOR COFFEE GRINDER |
| 50 | 1250261 | STROKE COUNTER SPRING |
| 51 | 1252436 | PIN FOR DOSER LEVER SPRING |
| 52 | 1250267 | PEG SPRING |
| 53 | 1252291 | DOSER LEVER |
| 54 | 1252292 | LEVER COVER |
| 55 | 1250263 | DOSER LEVER RETURN SPRING |
| 58 | 1240802 | MICROSWITCH 6A 250V |
| 59 | 1252437 | 6-TEETH PAWL |
| 62 | 1250174 | SHEET SPRING 89 mm |
| 65 | 1252286 | FILTER HOLDER FORK |
| 67 | 1324206 | COFFEE TAMPER PIN |
| 69 | 1250264 | ROD SPRING |
| 90 | 1090020 | DOSER LID ø 58 mm |
| 100 | 1385506 | COFFEE TAMPER COMPLETE |
| 101 | 1385507 | COFFEE TAMPER COMPLETE |
| 102 | 1090512 | COMPLETE DISPENSER |



GRINDER ASSEMBLY EB





OBEL

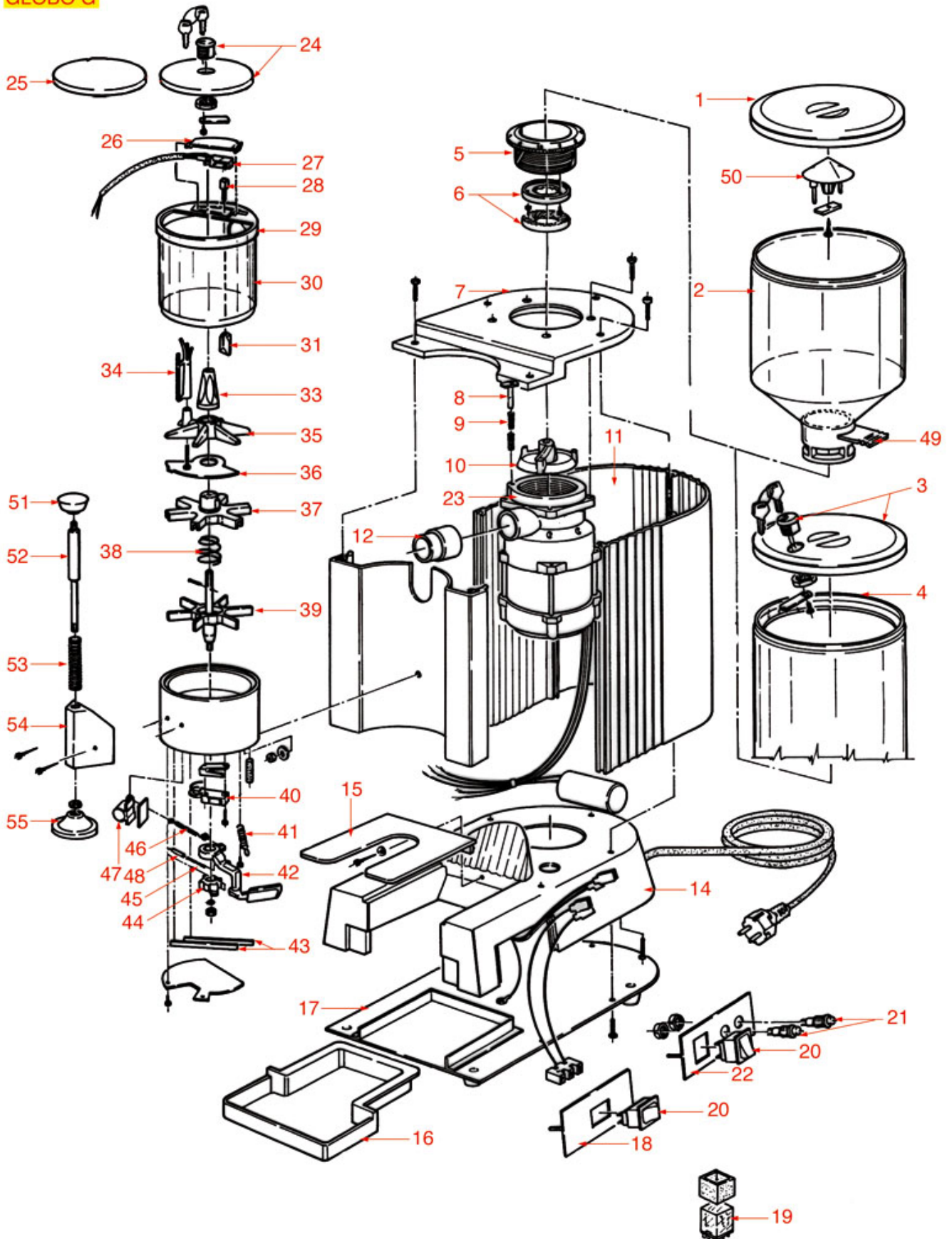


| Position | LF code no. | Description |
|----------|-------------|---|
| 1 | 1252304 | COFFEE HOPPER LID \varnothing 185 mm |
| 2 | 1252295 | COFFEE HOPPER INNER PROTECTION |
| 2 | 1252379 | COFFEE HOPPER INNER PROTECTION |
| 3 | 1080075 | COFFEE HOPPER |
| 6 | 1388501 | COVER LOCK |
| 7 | 1252285 | GRINDING BURRS TOP HOLDER W/RING NUT |
| 9 | 1251061 | GRINDING BURRS OBEL-CARIMALI (PAIR) LEFT |
| 10 | 1528001 | SCREW M4x10 UNI 6109 |
| 11 | 1186695 | SCREW COVER RING NUT \varnothing 126 mm |
| 13 | 1251113 | GRINDING BURRS BOTTOM HOLDER |
| 14 | 1252281 | LOCKING PIN |
| 15 | 1250265 | LOCKING PIN SPRING |
| 16 | 1528023 | S/STEEL CROSS SCREW M5x16 mm UNI 7688 |
| 21 | 3068019 | CAPACITOR μ F 12.5 450V 50/60Hz |
| 23 | 1252283 | DOSER LID |
| 24 | 1252284 | DOSER LID WITH KEY |
| 25 | 1090019 | DOSER CYLINDER \varnothing 120x117 mm |
| 27 | 1240802 | MICROSWITCH 6A 250V |
| 29 | 1252287 | MICROSWITCH HOLDER |
| 30 | 1252280 | DOSE ADJUSTMENT KNOB |
| 31 | 1250266 | DOSER SCRAPER |
| 32 | 1343939 | TOP STAR |
| 33 | 1252282 | DOSER SHEET |
| 34 | 1343940 | MIDDLE STAR |
| 35 | 1250260 | STAR SPRING |
| 37 | 1343941 | BOTTOM STAR |
| 40 | 1528630 | STAINLESS STEEL SCREW M5x10 mm UNI 5739 |
| 41 | 1252278 | COUNTER FOR COFFEE GRINDER |
| 43 | 1250261 | STROKE COUNTER SPRING |
| 44 | 1252436 | PIN FOR DOSER LEVER SPRING |
| 45 | 1250267 | PEG SPRING |
| 46 | 1252291 | DOSER LEVER |
| 47 | 1252292 | LEVER COVER |
| 49 | 1250263 | DOSER LEVER RETURN SPRING |
| 50 | 1528630 | STAINLESS STEEL SCREW M5x10 mm UNI 5739 |
| 52 | 1240802 | MICROSWITCH 6A 250V |
| 53 | 1252437 | 6-TEETH PAWL |
| 56 | 1250174 | SHEET SPRING 89 mm |
| 58 | 1528630 | STAINLESS STEEL SCREW M5x10 mm UNI 5739 |
| 59 | 1252286 | FILTER HOLDER FORK |
| 61 | 1324206 | COFFEE TAMPER PIN |
| 63 | 1250264 | ROD SPRING |
| 69 | 1528630 | STAINLESS STEEL SCREW M5x10 mm UNI 5739 |
| 71 | 3319934 | ORANGE BIPOLAR SWITCH 16A 250V |
| 72 | 1319003 | BLACK SINGLE POLE PUSH-BUTTON 0.7A 250V |
| 73 | 9014062 | RED SINGLE-POLE PUSH-BUTTON 0.7A 250V |
| 74 | 1252004 | FILTER HOLDER FORK |
| 75 | 1252277 | COFFEE COLLECTION TRAY |
| 76 | 1313106 | RUBBER FOOT |
| 77 | 1528001 | SCREW M4x10 UNI 6109 |
| 79 | 1351508 | RELAY 10A 230V |
| 90 | 1090020 | DOSER LID \varnothing 58 mm |
| 100 | 1385506 | COFFEE TAMPER COMPLETE |
| 101 | 1385507 | COFFEE TAMPER COMPLETE |
| 102 | 1090512 | COMPLETE DISPENSER |



GRINDER ASSEMBLY GLOBO "G"

GLOBO G





OBEL

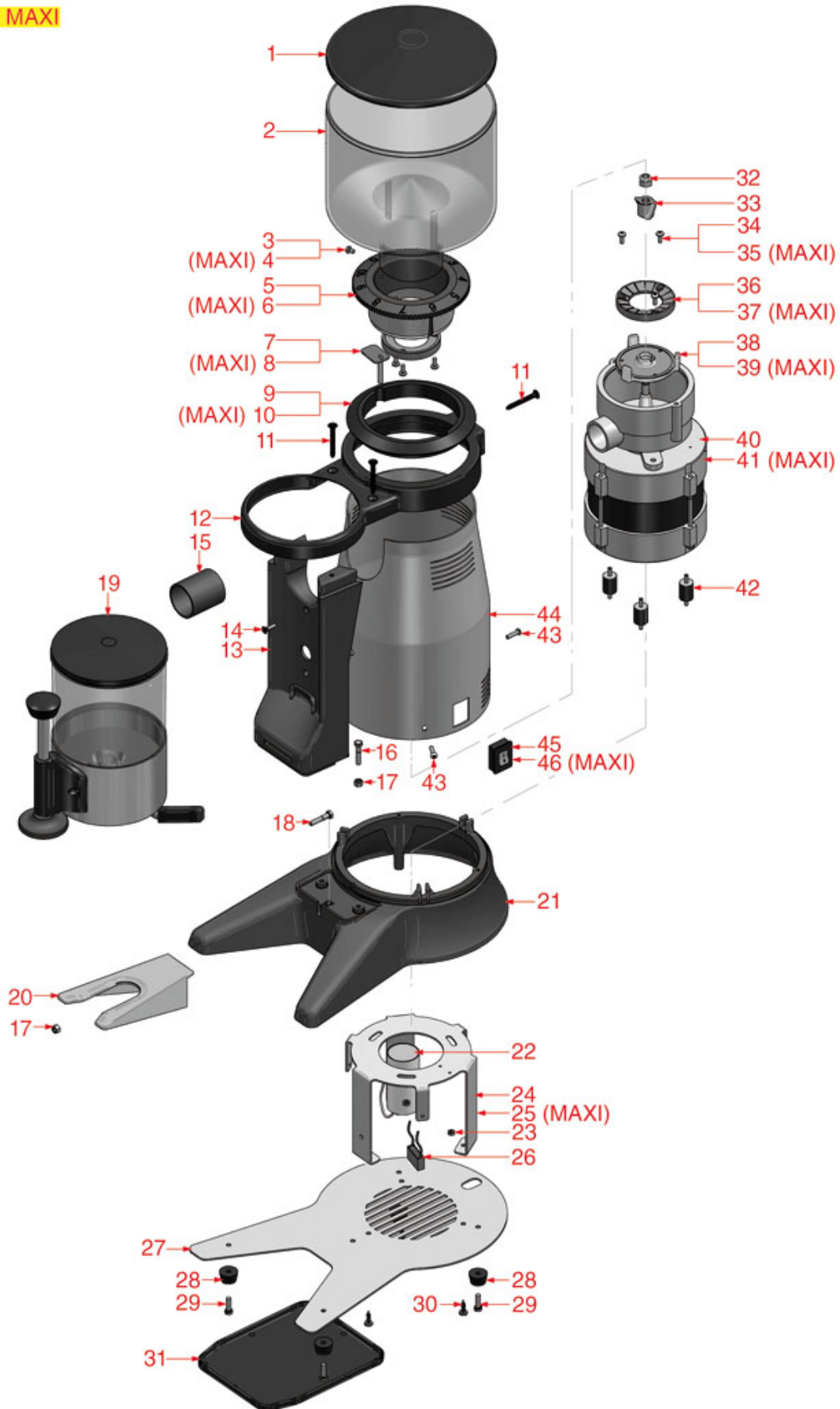


| Position | LF code no. | Description |
|----------|-------------|---|
| 1 | 1252304 | COFFEE HOPPER LID ø 185 mm |
| 2 | 1080075 | COFFEE HOPPER |
| 6 | 1251114 | GRINDING BURRS OBEL (PAIR) LEFT |
| 8 | 1252438 | LOCKING PIN |
| 9 | 1250265 | LOCKING PIN SPRING |
| 10 | 1251113 | GRINDING BURRS BOTTOM HOLDER |
| 15 | 1162009 | FILTER HOLDER FORK |
| 16 | 1252277 | COFFEE COLLECTION TRAY |
| 19 | 1351508 | RELAY 10A 230V |
| 20 | 3319934 | ORANGE BIPOLAR SWITCH 16A 250V |
| 21 | 1319003 | BLACK SINGLE POLE PUSH-BUTTON 0.7A 250V |
| 21 | 9014062 | RED SINGLE-POLE PUSH-BUTTON 0.7A 250V |
| 24 | 1252284 | DOSER LID WITH KEY |
| 25 | 1252283 | DOSER LID |
| 27 | 1240802 | MICROSWITCH 6A 250V |
| 29 | 1252287 | MICROSWITCH HOLDER |
| 33 | 1252280 | DOSE ADJUSTMENT KNOB |
| 34 | 1250266 | DOSER SCRAPER |
| 35 | 1343939 | TOP STAR |
| 36 | 1252282 | DOSER SHEET |
| 37 | 1343940 | MIDDLE STAR |
| 38 | 1250260 | STAR SPRING |
| 39 | 1343941 | BOTTOM STAR |
| 40 | 1240802 | MICROSWITCH 6A 250V |
| 41 | 1250263 | DOSER LEVER RETURN SPRING |
| 42 | 1252291 | DOSER LEVER |
| 43 | 1250174 | SHEET SPRING 89 mm |
| 44 | 1252437 | 6-TEETH PAWL |
| 45 | 1250267 | PEG SPRING |
| 46 | 1250261 | STROKE COUNTER SPRING |
| 47 | 1252278 | COUNTER FOR COFFEE GRINDER |
| 48 | 1252436 | PIN FOR DOSER LEVER SPRING |
| 49 | 1080074 | COFFEE CONTAINER CLOSING SHEET |
| 50 | 1252379 | COFFEE HOPPER INNER PROTECTION |
| 52 | 1324206 | COFFEE TAMPER PIN |
| 53 | 1250264 | ROD SPRING |



GRINDER ASSEMBLY MITO-MITO MAXI

MITO-MITO MAXI





OBEL

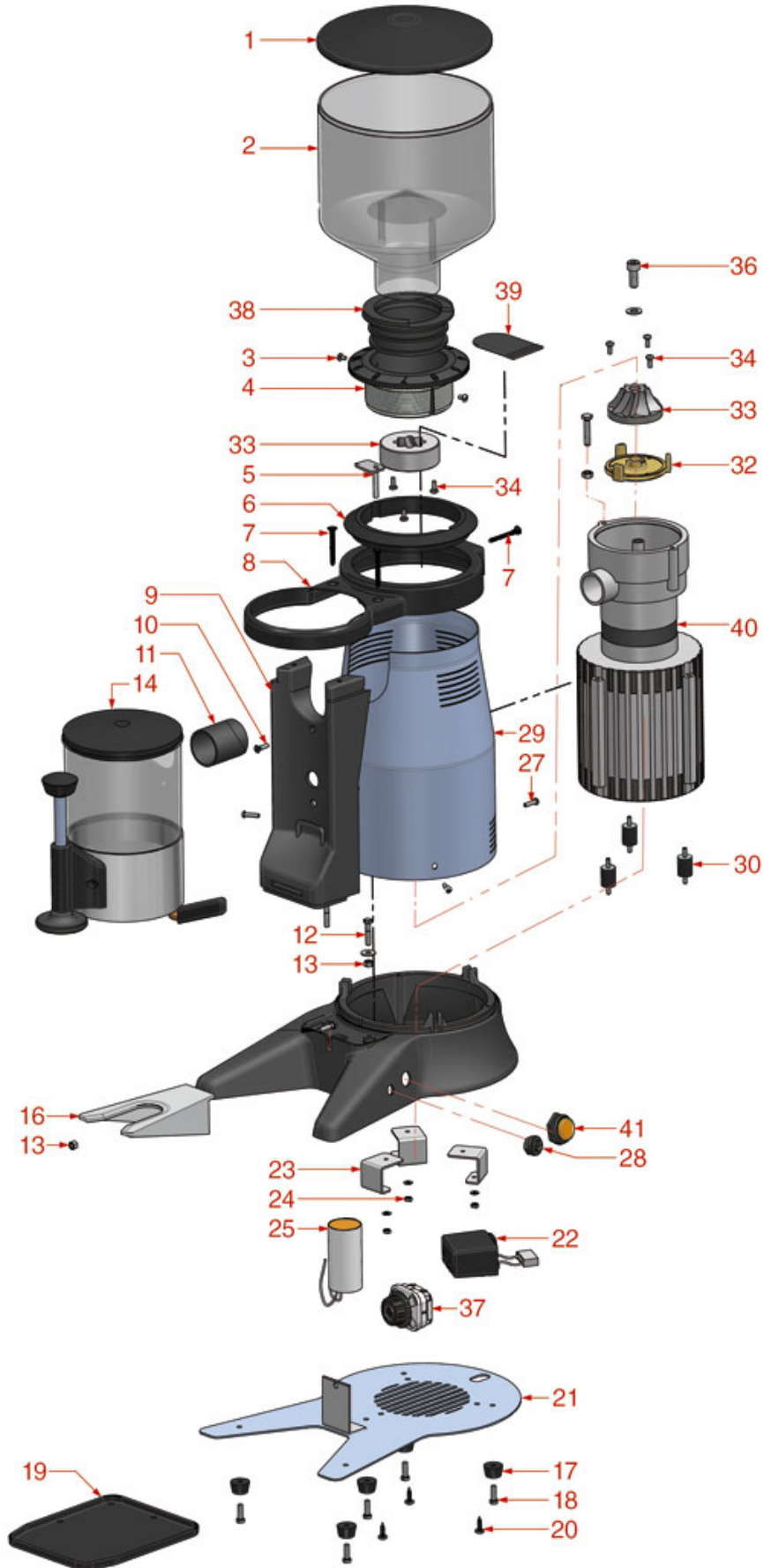


| Position | LF code no. | Description |
|----------|-------------|--|
| 1 | 1252304 | COFFEE HOPPER LID \varnothing 185 mm |
| 2 | 1080075 | COFFEE HOPPER |
| 5 | 1252285 | GRINDING BURRS TOP HOLDER W/RING NUT |
| 7 | 1252281 | LOCKING PIN |
| 8 | 1252438 | LOCKING PIN |
| 20 | 1252286 | FILTER HOLDER FORK |
| 22 | 3068024 | CAPACITOR μ F 16 450V 50/60Hz |
| 28 | 1313106 | RUBBER FOOT |
| 34 | 1528001 | SCREW M4x10 UNI 6109 |
| 36 | 1251061 | GRINDING BURRS OBEL-CARIMALI (PAIR) LEFT |
| 37 | 1251114 | GRINDING BURRS OBEL (PAIR) LEFT |
| 38 | 1251113 | GRINDING BURRS BOTTOM HOLDER |



GRINDER ASSEMBLY MITO-MITO MAXI

MITO CONIC





OBEL



| Position | LF code no. | Description |
|----------|-------------|---|
| 1 | 1252304 | COFFEE HOPPER LID ø 185 mm |
| 2 | 1080075 | COFFEE HOPPER |
| 5 | 1252438 | LOCKING PIN |
| 16 | 1252286 | FILTER HOLDER FORK |
| 17 | 1313106 | RUBBER FOOT |
| 25 | 3068024 | CAPACITOR μ F 16 450V 50/60Hz |
| 28 | 1319003 | BLACK SINGLE POLE PUSH-BUTTON 0.7A 250V |
| 33 | 1251076 | CONICAL GRINDING BURRS ROSSI (PAIR) RH |
| 39 | 1080074 | COFFEE CONTAINER CLOSING SHEET |



Suitable for:

OBEL



Suitable for:

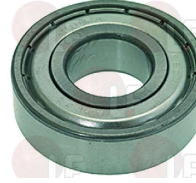
Bearings

3063005 BEARING 6202 2RS
external \varnothing 35 mm -internal \varnothing 15 mm-thickness 11 mm



OBEL MQ10

1063906 BEARING 6203 2Z
external \varnothing 40 mm-internal \varnothing 17 mm-thickness 12 mm



OBEL MQ17

Bodies

1252302 JUNIOR SCREW COVER



OBEL DF85M

1186695 SCREW COVER RING NUT \varnothing 126 mm



OBEL EB085

Capacitors

3068019 CAPACITOR μ F 12.5 450V 50/60Hz
operating temperature $-25+85^{\circ}\text{C}$
in compliance with EEC 93/68 and 92/31 regulations



OBEL EB075

OBEL EB075-BB12

3068024 CAPACITOR μ F 16 450V 50/60Hz
operating temperature $-25+85^{\circ}\text{C}$
in compliance with EEC 93/68 and 92/31 regulations



OBEL EB075MG

3068010 CAPACITOR μ F 6.3 450V 50/60Hz
operating temperature $-25+85^{\circ}\text{C}$
in compliance with EEC 93/68 and EEC 92/31 regulat



OBEL DF75



Containers for coffee

- 1080074 COFFEE CONTAINER CLOSING SHEET**
for Grinder-dispenser (CARIMALI) GT - G1
for Grinder-dispenser (OBEL) GLOBO"G"



OBEL EB011

- 1080075 COFFEE HOPPER**
for Grinder-dispenser (BEZZERA) BB003 - BB105
BB90
for Grinder-dispenser (CARIMALI) GT - G1 - M1 - M3
for Grinder-dispenser (OBEL) DSQ - EB - GLOBO"G"
MITO - MITOCONIC - MITOMAXI
for Grinder-dispenser (PAVONI) ZIP
for Grinder-dispenser (RENEKA) B14



OBEL EB02

OBEL EB02+EB04

OBEL G02

- 1252295 COFFEE HOPPER INNER PROTECTION**
for Grinder-dispenser (BEZZERA) BB90 - BB95
for Grinder-dispenser (CARIMALI) MJUNIOR - M1 - M3
for Grinder-dispenser (OBEL) DSQ - EB - JUNIOR
for Grinder-dispenser (PAVONI) ZIP



OBEL EB04

- 1252379 COFFEE HOPPER INNER PROTECTION**
for Grinder-dispenser (BEZZERA) BB003 - BB004
BB105 - BB90 - BB95
for Grinder-dispenser (CARIMALI) GT - G1 - MJUNIOR
M1 - M3
for Grinder-dispenser (OBEL) DSQ - EB - GLOBO"G"
JUNIOR
for Grinder-dispenser (PAVONI) ZIP
for Grinder-dispenser (RENEKA) B14



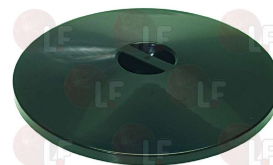
OBEL EB04C

- 1252301 COFFEE HOPPER LID**
for Grinder-dispenser (BEZZERA) BB90 - BB95
for Grinder-dispenser (CARIMALI) MJUNIOR - M1 - M3
for Grinder-dispenser (OBEL) DSQ - EB - JUNIOR
for Grinder-dispenser (PAVONI) ZIP



OBEL DF1

- 1252304 COFFEE HOPPER LID ø 185 mm**
for Grinder-dispenser (BEZZERA) BB003 - BB105
BB90 - BB95
for Grinder-dispenser (CARIMALI) GT - G1 - M1 - M3
for Grinder-dispenser (OBEL) DSQ - EB - GLOBO"G"
MITO - MITOCONIC - MITOMAXI
for Grinder-dispenser (PAVONI) ZIP
for Grinder-dispenser (RENEKA) B14



OBEL EB01



Suitable for:

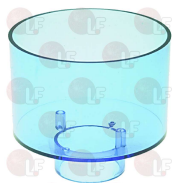
OBEL



Suitable for:

1080938 COFFEE HOPPER 250 gr

for Grinder-dispenser (BEZZERA) BB004 - BB95
for Grinder-dispenser (CARIMALI) MJUNIOR
for Grinder-dispenser (OBEL) JUNIOR
for Grinder-dispenser (SPAZIALE) JUNIOR



OBEL DF2

Counters

1252278 COUNTER FOR COFFEE GRINDER

for Grinder-dispenser (BEZZERA) BB003 - BB105
BB90
for Grinder-dispenser (CARIMALI) GT - G1 - M1 - M3
for Grinder-dispenser (OBEL) DSQ - EB - GLOBO "G"
for Grinder-dispenser (PAVONI) ZIP
for Grinder-dispenser (RENEKA) B14



OBEL EB054

Dosers for coffee

1090511 COMPLETE DISPENSER

for Grinder-dispenser (CARIMALI) MJUNIOR
for Grinder-dispenser (OBEL) JUNIOR



OBEL DF71C

OBEL DF71CC

1090512 COMPLETE DISPENSER

for Grinder-dispenser (BEZZERA) BB105 - BB90
for Grinder-dispenser (CARIMALI) M1 - M3
for Grinder-dispenser (OBEL) DSQ - EB
for Grinder-dispenser (PAVONI) ZIP



OBEL EB91

1252276 DOSER CYLINDER

for Grinder-dispenser (BEZZERA) BB95
for Grinder-dispenser (CARIMALI) MJUNIOR
for Grinder-dispenser (OBEL) JUNIOR
for Grinder-dispenser (SPAZIALE) JUNIOR



OBEL DF44

1090019 DOSER CYLINDER ø 120x117 mm

for Grinder-dispenser (BEZZERA) BB003 - BB105
BB90
for Grinder-dispenser (CARIMALI) M1 - M3
for Grinder-dispenser (OBEL) DSQ - EB
for Grinder-dispenser (PAVONI) ZIP
for Grinder-dispenser (RENEKA) B14

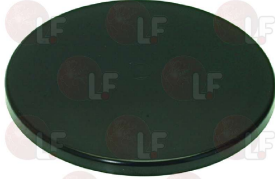


OBEL DS044

OBEL EB094

1252279 DOSER LID

for Grinder-dispenser (BEZZERA) BB004 - BB95
for Grinder-dispenser (CARIMALI) MJUNIOR
for Grinder-dispenser (OBEL) JUNIOR
for Grinder-dispenser (SPAZIALE) JUNIOR



OBEL DF51M

1090020 DOSER LID ø 58 mm

for Grinder-dispenser (OBEL) DSQ - EB - JUNIOR



OBEL DF51

1250266 DOSER SCRAPER

for Coffee grinder (CARIMALI) G1/GT - M1/M3
for Grinder-dispenser (BEZZERA) BB003 - BB105
BB90
for Grinder-dispenser (OBEL) DSQ - EB - GLOBO "G"
for Grinder-dispenser (PAVONI) ZIP
for Grinder-dispenser (RENEKA) B14



OBEL EB050

1252283 DOSER LID

for Coffee grinder (CARIMALI) G1/GT - M1/M3
for Grinder-dispenser (BEZZERA) BB003 - BB105
BB90
for Grinder-dispenser (OBEL) DSQ - EB - GLOBO "G"
for Grinder-dispenser (PAVONI) ZIP
for Grinder-dispenser (RENEKA) B14



OBEL EB051

1252284 DOSER LID WITH KEY

for Coffee grinder (CARIMALI) G1/GT - M1/M3
for Grinder-dispenser (BEZZERA) BB90
for Grinder-dispenser (OBEL) DSQ - EB - GLOBO "G"
for Grinder-dispenser (PAVONI) ZIP



OBEL EB051C

Feet

1313106 RUBBER FOOT



OBEL EB019



Suitable for:

OBEL



Suitable for:

Forks for portafilter coffee grinder

1162009 FILTER HOLDER FORK
for Grinder-dispenser (CARIMALI) GT - G1
for Grinder-dispenser (OBEL) GLOBO"G"



OBEL G101

1252004 FILTER HOLDER FORK
for Grinder-dispenser (BEZZERA) BB90
for Grinder-dispenser (CARIMALI) M1 - M3
for Grinder-dispenser (OBEL) EB
for Grinder-dispenser (PAVONI) ZIP
for Grinder-dispenser (SPAZIALE) JUNIOR



OBEL EB033

1252286 FILTER HOLDER FORK
for Grinder-dispenser (BEZZERA) BB105 - BB90
for Grinder-dispenser (CARIMALI) M1 - M3
for Grinder-dispenser (OBEL) DSQ - EB - MITO
MITOCONIC - MITOMAXI
for Grinder-dispenser (PAVONI) ZIP



OBEL EB033S

1252299 FILTER HOLDER FORK
for Grinder-dispenser (BEZZERA) BB95
for Grinder-dispenser (CARIMALI) MJUNIOR
for Grinder-dispenser (OBEL) JUNIOR



OBEL DF33

Grinders

1251076 CONICAL GRINDING BURRS ROSSI (PAIR) RH
external \varnothing 68/49 mm - internal \varnothing 41/13 mm
thickness 25 mm - 4 mounting holes
inner groove for feather
for Grinder-dispenser (BRASILIA) MC
for Grinder-dispenser (CASADIO) GC98
for Grinder-dispenser (MACAP) M7K - M7KA - M7KT
for Grinder-dispenser (OBEL) MITOCONIC
for Grinder-dispenser (ROSSI) MC



OBEL MT08K

1251062 GRINDING BURRS OBEL (PAIR) LEFT
external \varnothing 50 mm - internal \varnothing 30 mm
thickness 8 mm - 3 fixing holes
for Grinder-dispenser (BEZZERA) BB004 - BB95
for Grinder-dispenser (CARIMALI) MJUNIOR
for Grinder-dispenser (FIAMMA RST) MCF2
for Grinder-dispenser (OBEL) JUNIOR
for Grinder-dispenser (SPAZIALE) JUNIOR



OBEL DF8

1251114 GRINDING BURRS OBEL (PAIR) LEFT
 external \varnothing 75 mm - internal \varnothing 43.6 mm
 thickness 9 mm - 3 mounting holes
 for Grinder-dispenser (CARIMALI) GT - G1
 for Grinder-dispenser (OBEL) GLOBO "G"



OBEL EB08/75

Suitable for:

1251061 GRINDING BURRS OBEL-CARIMALI (PAIR) LEFT
 external \varnothing 64 mm - internal \varnothing 38 mm
 thickness 9 mm - 3 mounting holes
 for Grinder-dispenser (BEZZERA) BB003 - BB105
 BB90
 for Grinder-dispenser (CARIMALI) M1 - M3
 for Grinder-dispenser (OBEL) DSQ - EB - MITO
 for Grinder-dispenser (PAVONI) ZIP
 for Grinder-dispenser (RENEKA) B14



OBEL EB08

Grinding burr holders

1251063 GRINDING BURRS BOTTOM HOLDER
 for Grinder-dispenser (BEZZERA) BB004 - BB95
 for Grinder-dispenser (CARIMALI) MJUNIOR
 for Grinder-dispenser (OBEL) JUNIOR
 for Grinder-dispenser (SPAZIALE) JUNIOR



OBEL DF90

1251113 GRINDING BURRS BOTTOM HOLDER
 for Grinder-dispenser (BEZZERA) BB003 - BB105
 BB90
 for Grinder-dispenser (CARIMALI) GT - G1 - M1 - M3
 for Grinder-dispenser (OBEL) GLOBO "G" - MITO
 for Grinder-dispenser (PAVONI) ZIP
 for Grinder-dispenser (RENEKA) B14



OBEL EB090

1252285 GRINDING BURRS TOP HOLDER W/RING NUT
 for Grinder-dispenser (BEZZERA) BB003 - BB105
 BB90
 for Grinder-dispenser (CARIMALI) M1 - M3
 for Grinder-dispenser (OBEL) DSQ - EB - MITO
 for Grinder-dispenser (PAVONI) ZIP



OBEL EB053

1252300 GRINDING BURRS TOP HOLDER W/RING NUT
 for Grinder-dispenser (BEZZERA) BB004 - BB95
 for Grinder-dispenser (CARIMALI) MJUNIOR
 for Grinder-dispenser (OBEL) JUNIOR
 for Grinder-dispenser (SPAZIALE) JUNIOR



OBEL DF53

Ironmongery (screws,nuts,washers)

3528291 CROSS HEAD FLUSH SCREW M4x8 UNI 7688



OBEL DF91

1528023 S/STEEL CROSS SCREW M5x16 mm UNI 7688



OBEL MQ40



Suitable for:

3060069 S/STEEL HEXAGONAL MEDIUM NUT M8 UNI 5588



OBEL MQ45/8

OBEL



Suitable for:

1528001 SCREW M4x10 UNI 6109



OBEL MQ36

3060054 ST.STEEL HEXAGONAL NORM.NUT M10 UNI 5588



OBEL MQ44

1528630 STAINLESS STEEL SCREW M5x10 mm UNI 5739



OBEL MQ37E

Knobs

1252280 DOSE ADJUSTMENT KNOB



OBEL EB048

Levers

1252291 DOSER LEVER

for Grinder-dispenser (BEZZERA) BB003 - BB105
BB90
for Grinder-dispenser (CARIMALI) GT - G1 - M1 - M3
for Grinder-dispenser (OBEL) DSQ - EB - GLOBO "G"
for Grinder-dispenser (PAVONI) ZIP
for Grinder-dispenser (RENEKA) B14



OBEL EB029

OBEL EB029P

1252292 LEVER COVER



OBEL EB029A

1252297 LEVER COVER



OBEL DF28



Locks

1388501 COVER LOCK



OBEL EB8

Microswitches

1252287 MICROSWITCH HOLDER



OBEL EB086

1240802

MICROSWITCH 6A 250V

contacts normally closed

for Grinder-dispenser (BEZZERA) BB003 - BB105
BB90

for Grinder-dispenser (CARIMALI) GT - G1 - M1 - M3

for Grinder-dispenser (OBEL) DSQ - EB - GLOBO "G"

for Grinder-dispenser (PAVONI) ZIP

for Grinder-dispenser (RENEKA) B14



OBEL EB066AC

OBEL EB066MC

OBEL EB066MA

OBEL EB066MAC

Pawls for coffee grinder dosers

1252303 PAWL GEAR 6 TEETH



OBEL DF92

1252437

6-TEETH PAWL



OBEL DS30

OBEL EB092

Pins

1252281 LOCKING PIN



OBEL EB06

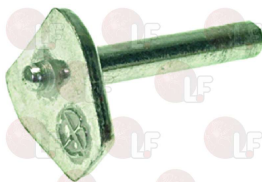
1252438

LOCKING PIN



OBEL G06

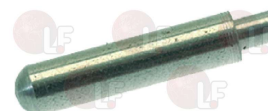
1324941 LOCKING PIN



OBEL DF6

1252436

PIN FOR DOSER LEVER SPRING



OBEL EB056



Suitable for:

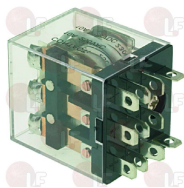
OBEL



Suitable for:

Relays

1351508 RELAY 10A 230V



OBEL EB073

Springs

1250263 DOSER LEVER RETURN SPRING
for BEZZERA BB105-BB95-BB90-BB004-BB003
for CARIMALI G1-GT-M JUNIOR-M1/M3
for OBEL JUNIOR-DSQ-EB-GLOBO "G"
for PAVONI ZIP
for SPAZIALE JUNIOR
for RENEKA B14



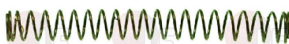
OBEL EB055

1250265 LOCKING PIN SPRING



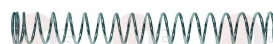
OBEL EB05

1250267 PEG SPRING



OBEL EB057

1250264 ROD SPRING



OBEL EB041

1250175 SHEET SPRING



OBEL DF70

1250174 SHEET SPRING 89 mm



OBEL EB070

1250260 STAR SPRING
for BEZZERA BB105-BB95-BB90-BB004-BB003
for CARIMALI G1-GT-M JUNIOR-M1/M3
for OBEL JUNIOR-DSQ-EB-GLOBO "G"
for PAVONI ZIP
for SPAZIALE JUNIOR
for RENEKA B14



OBEL EB061

1250261 STROKE COUNTER SPRING



OBEL EB028



Stars and spare parts

1343941 BOTTOM STAR



OBEL EB062

1252282 DOSER SHEET



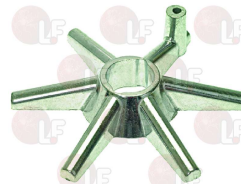
OBEL EB060

1343940 MIDDLE STAR



OBEL EB059

1343939 TOP STAR



OBEL EB042

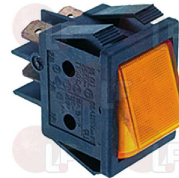
Switches

1319003 BLACK SINGLE POLE PUSH-BUTTON 0.7A 250V
 head \varnothing 19 mm - mounting hole \varnothing 15 mm
 for Grinder-dispenser (BEZZERA) BB90
 for Grinder-dispenser (CARIMALI) GT - G1 - M1 - M3
 for Grinder-dispenser (CIMBALI) ALINOX A
 for Grinder-dispenser (OBEL) DSQ - EB - GLOBO"G"
 MITOCONIC
 for Grinder-dispenser (PAVONI) ZIP



OBEL EB076M

3319035 ORANGE BIPOLAR SWITCH 16A 250V
 with indicator lamp
 max temperature 120°C
 mounting hole 22x30 mm



OBEL

3319934 ORANGE BIPOLAR SWITCH 16A 250V
 with indicator lamp
 0-1 silk-screen printing
 max temperature 120°C
 mounting hole 22x30 mm



OBEL EB079

9014062 RED SINGLE-POLE PUSH-BUTTON 0.7A 250V
 1 normally closed contact
 head \varnothing 19 mm - mounting hole \varnothing 15 mm



OBEL EB076A



Suitable for:

OBEL



Suitable for:

Tampers for coffee

1385506 COFFEE TAMPER COMPLETE



OBEL EB037C

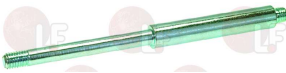
1385507 COFFEE TAMPER COMPLETE



OBEL EB039C

OBEL EB039PCOMPL.

1324206 COFFEE TAMPER PIN

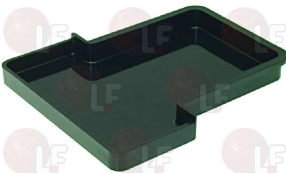


OBEL EB045

Trays

1252277 COFFEE COLLECTION TRAY

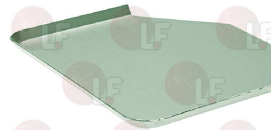
for Grinder-dispenser (BEZZERA) BB90
for Grinder-dispenser (CARIMALI) GT - G1 - M1 - M3
for Grinder-dispenser (OBEL) EB - GLOBO
for Grinder-dispenser (PAVONI) ZIP



OBEL EB022

1252305 COFFEE COLLECTION TRAY

for Grinder-dispenser (OBEL) DSQ



OBEL MQ32

The data herewith contained may change without notice and LF SpA cannot be held responsible for possible errors stated or resulting by the use of this document. All rights reserved. No part of this publication may be reproduced without written permission by LF SpA.



LF SpA
via Voltri, 80 - 47522 Cesena (FC) ITALIA
Tel. +39 0547 34 11 11 - Fax +39 0547 34 11 10
www.lfricambi724.it - www.lfricambi724.mobi
info@lfricambi.it
Export Dept.: Tel. +39 0547 34 11 50 - Fax: +39 0547 34 11 55
www.lfspareparts724.com - www.lfspareparts724.mobi
export@lfspaceparts.com

FRANCE



EPGC Sas
13, Rue des Forts - 59960 Neuville en Ferrain
Tél. +33 (0)3 20 25 06 21
Fax +33 (0)3 20 25 34 12
www.epgc.com
www.epgc724.mobi
epgc@epgc.com

DEUTSCHLAND



LF GmbH
Junkersstrasse, 1 - D-82178 Puchheim - München
Tel. +49 89 89 45 78 66
Fax +49 89 89 45 78 88
www.lfersatzteile724.de
www.lfersatzteile724.mobi
info@lfersatzteile.de

SCHWEIZ



LF GmbH Verkaufsbüro
Sennweidstrasse, 45 - CH-6312 Steinhausen
Tel. +41 (0)41 760 15 80-1
Fax +41 (0)41 760 15 85
www.lfersatzteile724.ch
www.lfersatzteile724.mobi
info@lfersatzteile.ch

ESPAÑA



LF Repuestos Horeca S.L.U.
Calle Ciudad Real, 10 - 45517 Escalonilla - Toledo
Tif. +34 91 477 91 00
Fax +34 91 477 90 81
www.lfrepuestos724.es
www.lfrepuestos724.mobi
info@lfrepuestos.es

UNITED KINGDOM



LF Spare Parts Ltd.
A10a Lakeside Business Park, Broadway Lane
South Cerney, Gloucestershire GL7 5XL
Tel. +44 (0)1285 86 16 25
Fax +44 (0)1285 86 39 49
www.lfspareparts724.co.uk
www.lfspareparts724.mobi
info@lfspaceparts.co.uk

RUSSIA



OOO LF
ul, Anatoliya Zhivova, 8 - office 1 - 123100 Moscow
Tel. +7 499 259 85 75
Fax +7 495 725 26 53
www.lfspareparts724.ru
www.lfspareparts724.mobi
info@lfspaceparts.ru

CHINA



LF China
Room 102, House 8, Lane 725, Mao Tai Rd.
Changning Dist. - 200336 Shanghai
Tel. +86 (0)21 33 53 66 31
Fax +86 (0)21 33 53 66 32
www.lfspareparts724.com
www.lfspareparts724.mobi
china@lfspaceparts.com